

---

# **BuzziCone** 110 - 120V

## **Product Specification Sheet**

---

This document contains technical information about the BuzziCone



[www.buzzi.space](http://www.buzzi.space)






## Conic and Iconic

BuzziCone is a classic yet original noise-reducing lighting, which offers the best of both worlds: light and good silence. This cone-shape slim pendant in soft BuzziFelt offers elegant decorative light, being the perfect addition to any setting. Hang them individually or cluster them in different height to delineate the ideal microenvironment. BuzziCone is available in a wide range of striking BuzziFelt colors. Be even more creative by adding a layer of fabric to the BuzziFelt (inside or outside). You can take your pick from the 3 models based on different angles: 47, 102 and 133.

Designed by BuzziSpace Studio

---

## General

-  47, 102, 133
-  Metal Frame in Black (RAL 9005)  
Shade in one layer of BuzziFelt finished with push buttons in glossy black
-  Input Voltage: 110 - 120V  
Input Frequency: 50/60Hz  
Class: 1
-  Dry usage
-  Assembled

---

## Acoustics



Attenuation



Diffusion



Mid Tones



High Tones

---

## Certifications

UL LISTED

---

## Content

Configurations	3
Technical components	5
Fabrics	7
Photometric data	8
Dimensions	10
Acoustics	13

# Configurations

---

## BuzziCone 47

🌲 Metal Frame in Black (RAL 9005)  
Shade in one layer of BuzziFelt finished with push buttons in glossy black

✂ Height: 23.43"  
Diameter: Ø 24.80"

Diffusor: Glass Globe or Reflector Spot

Input Voltage: 110 – 120V

Input Frequency: 50/60Hz

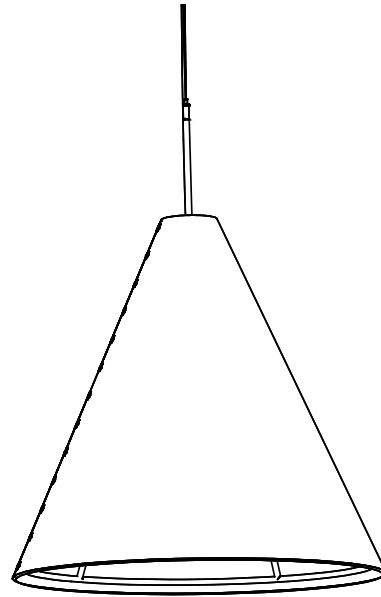
💡 Lumen Output: 1500 Lm  
Color Temperature: 3000K  
Color Rendering Index: 90  
1-10V Dimmable

⚖ 14.33 lbs

Optional extra layer Fabric | Hero  
inside or outside

⋮ Fixing system screw with 1 cable of  
78.74" - 157.48" in black

⚠ If installing on suspended ceiling, verify load  
capacity prior to installation.



---

## BuzziCone 102

🌲 Metal Frame in Black (RAL 9005)  
Shade in one layer of BuzziFelt finished with push buttons in glossy black

✂ Height: 12.99"  
Diameter: Ø 36.02"

Diffusor: Glass Globe or Reflector Spot

Input Voltage: 220 – 240V

Input Frequency: 50/60Hz

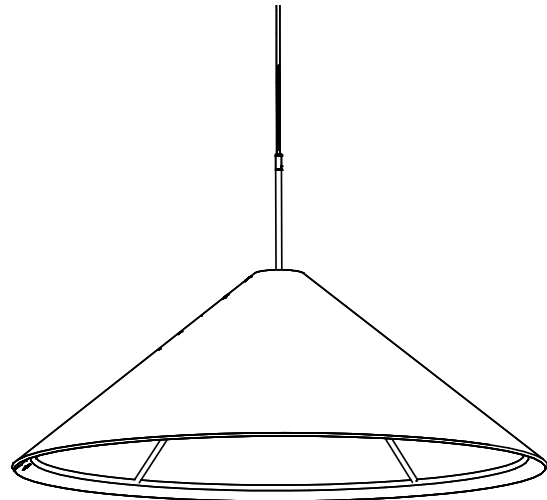
💡 Lumen Output: 1500 Lm  
Color Temperature: 3000K  
Color Rendering Index: 90  
1-10V Dimmable

⚖ 15.43 lbs

Optional extra layer Fabric | Hero  
inside or outside

⋮ Fixing system screw with 1 cable of  
78.74" - 157.48" in black

⚠ If installing on suspended ceiling, verify load  
capacity prior to installation



---

## BuzziCone 133

🌲 Metal Frame in Black (RAL 9005)  
Shade in one layer of BuzziFelt finished with push buttons in glossy black

✂ Height: 8.66"  
Diameter: Ø 42.91"

Diffusor: Glass Globe or Reflector Spot

Input Voltage: 220 – 240V

Input Frequency: 50/60Hz

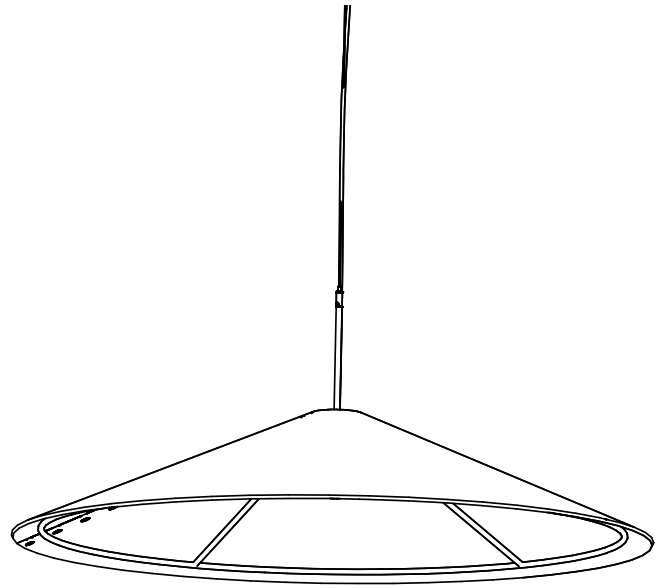
💡 Lumen Output: 1500 Lm  
Color Temperature: 3000K  
Color Rendering Index: 90  
1-10V Dimmable

⚖ 16.53 lbs

Optional extra layer Fabric | Hero  
inside or outside

⋮ Fixing system screw with 1 cable of  
78.74" - 157.48" in black

⚠ If installing on suspended ceiling, verify load  
capacity prior to installation



# Technical components

---

## LED Light Source

### Frame



Metal frame in black RAL 9005

### Ceiling canopy



Powder coated metal canopy in black (RAL 9005)  
Including mounting bracket

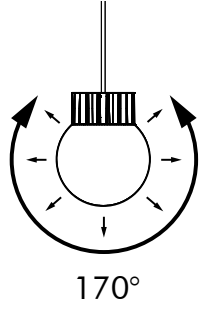
Width: 5.51"  
Length: 11.02"  
Height: 1.57"

### Heat sink



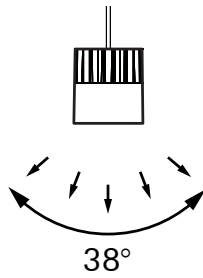
The light element consists out of a black powder coated metal heat sink fitted with a C.O.B. LED source.

## Globe



The BuzziSol Globe is finished with a frosted glass globe, to create a decorative light effect 170° around enlighting the inside of the BuzziShade.

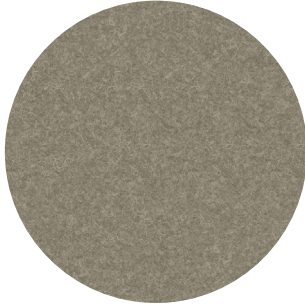
## Spot



The BuzziSol Spot is finished with a 38° reflector to direct the light towards the surface.

# Fabrics

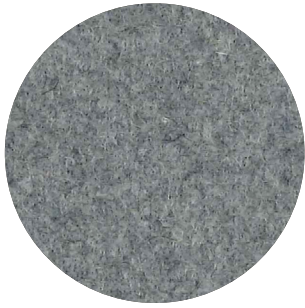
## Felt



**Composition** 100% Recycled PE.T. Felt, latex backing  
**Weight** 1.000 g/m<sup>2</sup> | 29.49 oz/yd<sup>2</sup>  
**Abrasion resistance** >7.000 Martindale  
**Flammability** EU: EN 13501.1 + A1/2009 Class B-s1,d0  
USA: ASTM E84 Class A certified  
**Fastness to light** USA 5



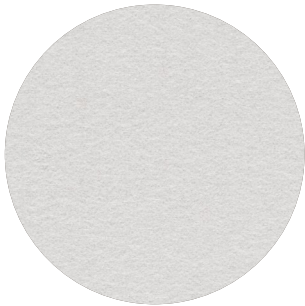
## Fabric



**Category** A  
**Composition** 70% Recycled Wool, 25% Recycled Polyacryl,  
5% Recycled Other Fabrics  
**Weight** 405 g/m<sup>2</sup> | 11.94 oz/yd<sup>2</sup>  
**Abrasion resistance** 40.000 Martindale, 50,000 Wyzenbeek  
**Flammability** EU: EN 1021.1/2006 | BS EN 1021.1/2006 (cigarette).  
EN 1021.2/2006 | BS EN 1021.2/2006 (match)  
USA: CAL TB 117 | ASTM E84 CLASS A  
**Fastness to light** EU: 4 | USA 4  
**Fastness to rubbing** EU: Wet 3-4 | Dry 4-5  
**Fastness to crocking** USA: Wet 5 | Dry 5



## Hero



**Category** C  
**Composition** 96% new wool, 4% nylon  
**Weight** 580 g/lin.m  
**Abrasion resistance** 45.000 Martindale rubs, EN ISO 12947  
**Flammability** EN 1021-1/2 | DIN 4102 B2 | NF D 60 013  
UNI 9175 11M | US Cal. Bull. 117-2013 | NFPA 260  
IMO A.652 (16)  
**Fastness to light** Note 5-6, ISO 105-B02  
**Fastness to rubbing** (ISO) dry 4-5, wet 4-5  
**Pilling** Note 3-4, EN ISO 12945

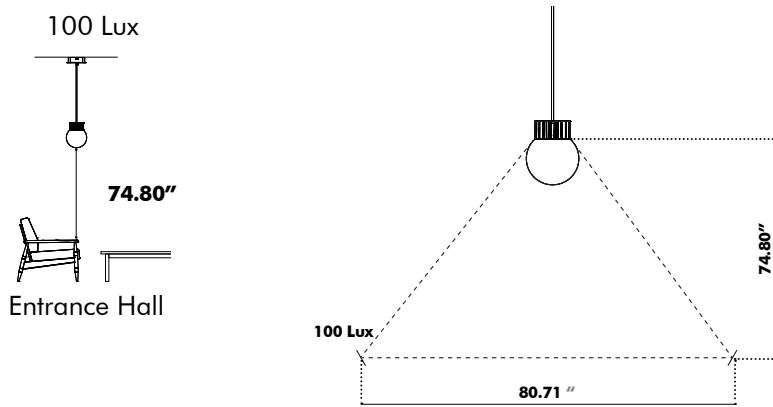


## kvadrat

# Photometric Data

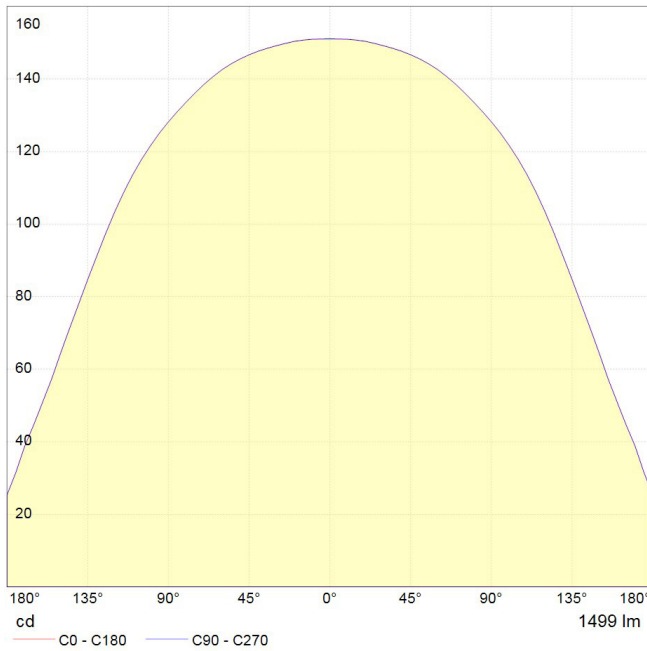
## BuzziCone LED Globe

To enlight your room with a lux level of 100 lux take following measures into account.

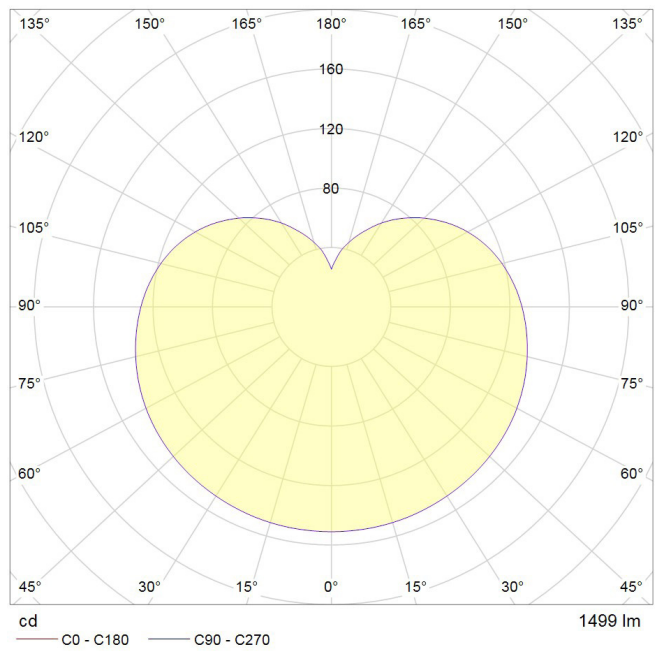


\* According to EN12464

### Globe Cartesian diagram



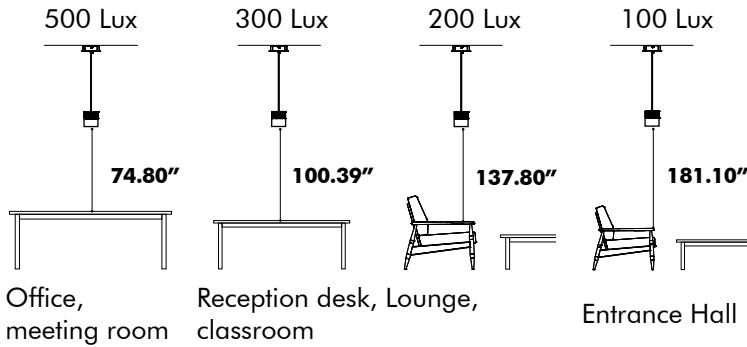
### Globe Polar curve



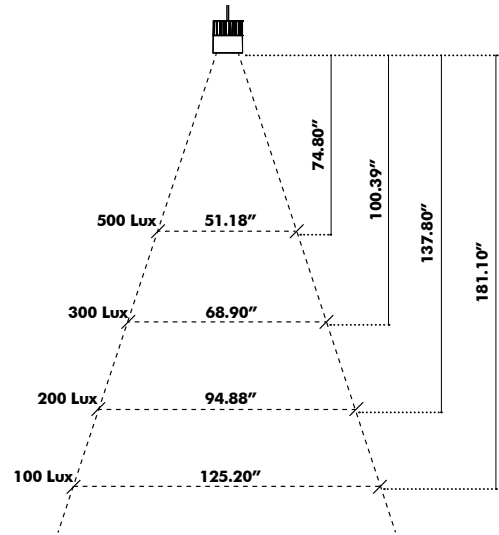


# BuzziCone LED Spot

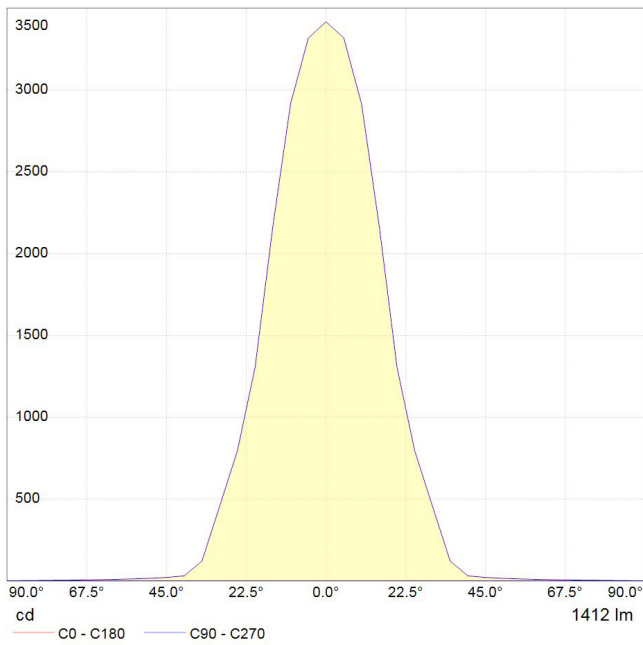
To enlight your workplace or room with optimal lux levels take following measures into account.



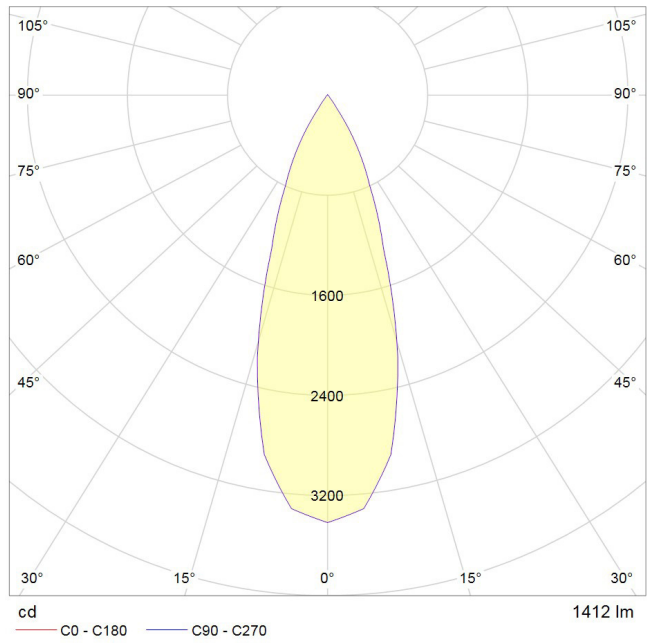
\* According to EN12464



## Globe Cartesian diagram

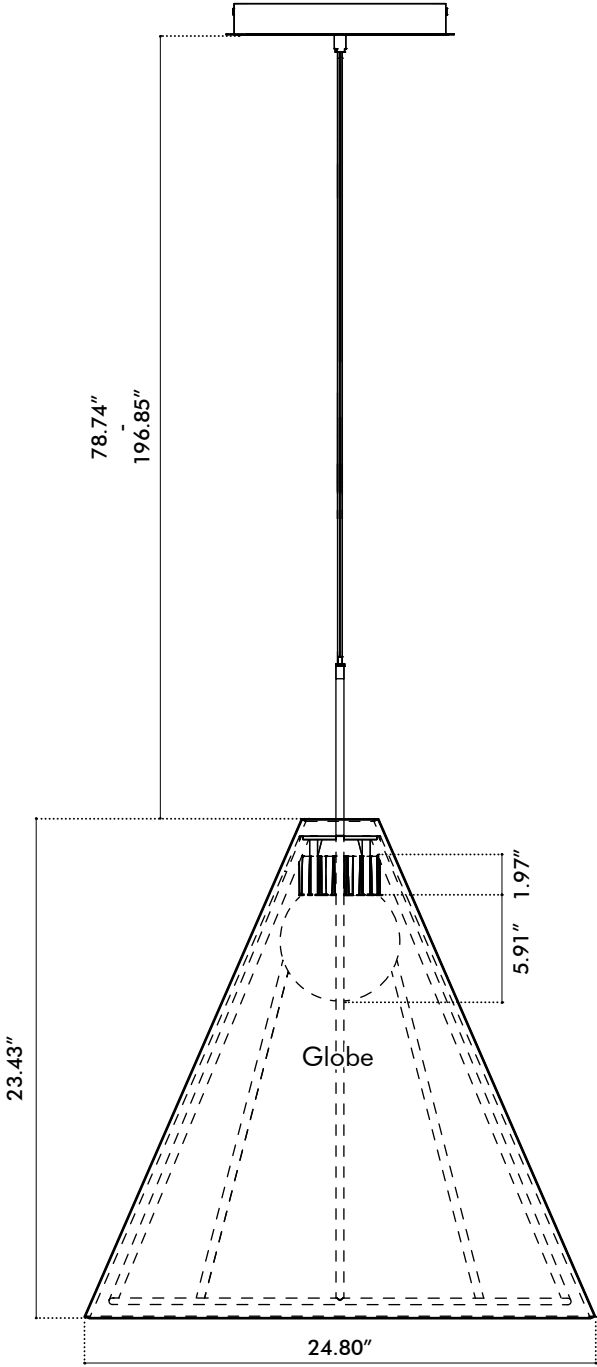


## Globe Polar curve

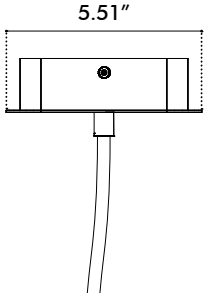


# Dimensions

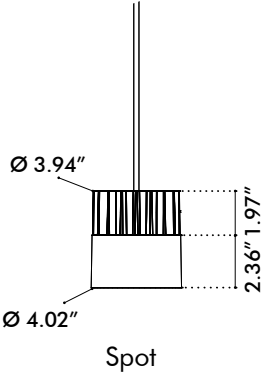
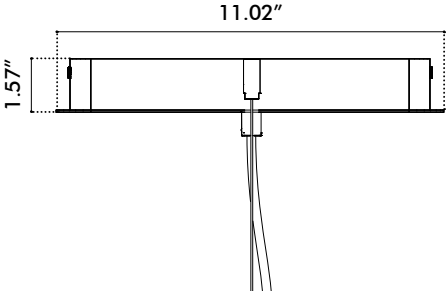
## BuzziCone 47



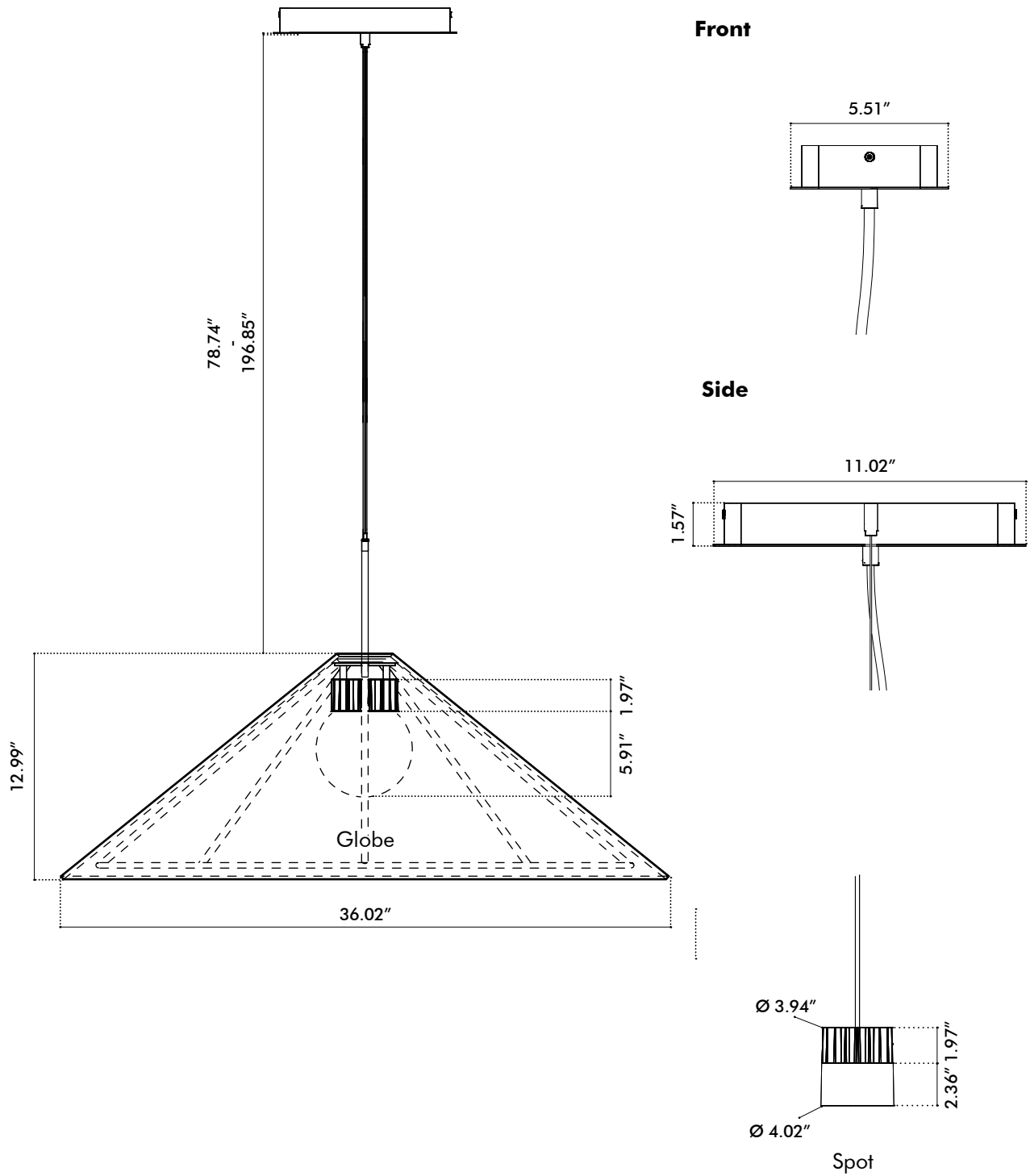
Front



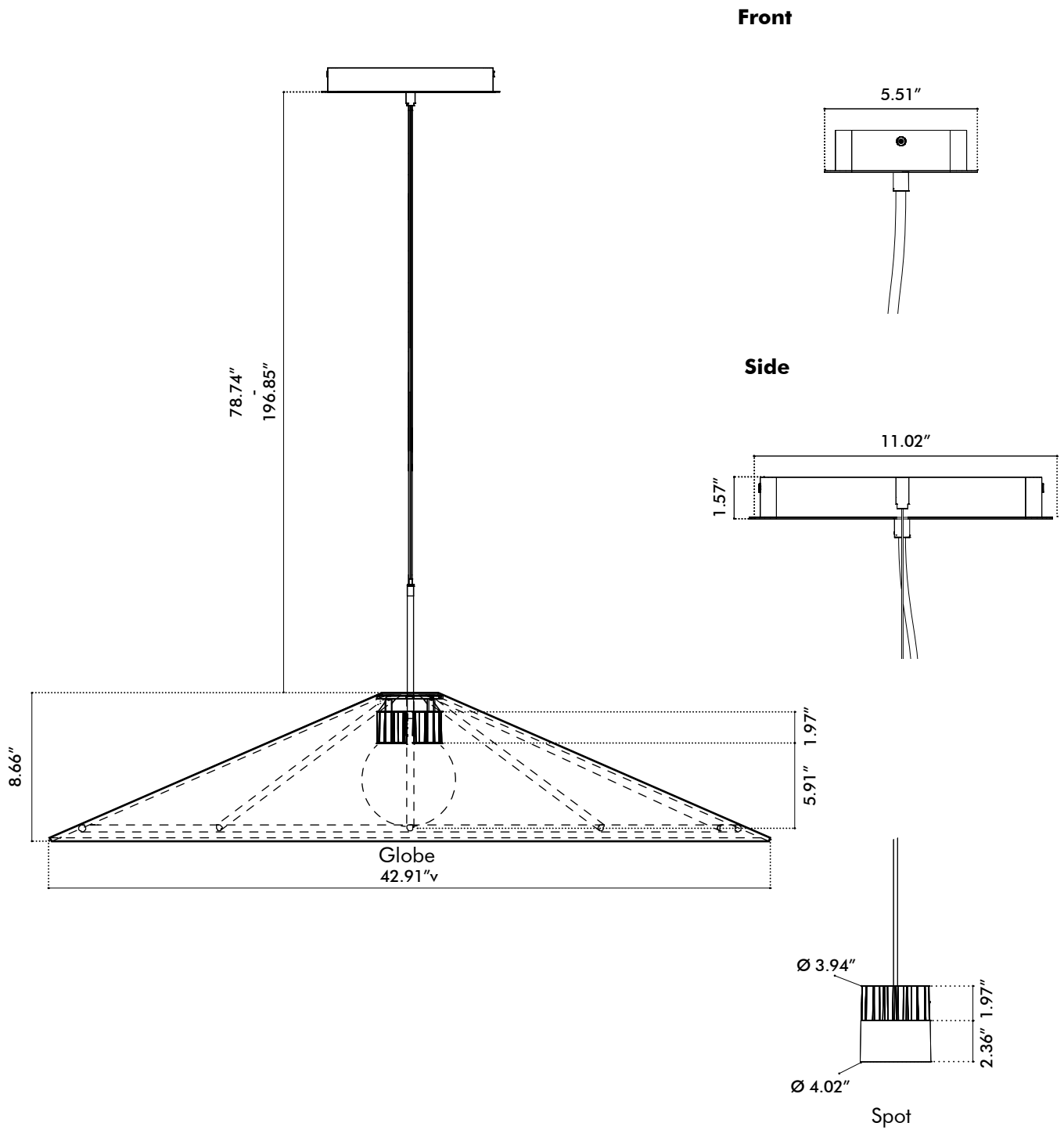
Side



# BuzziCone 102



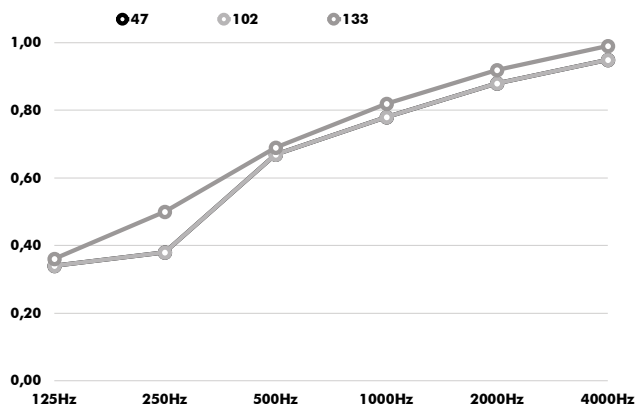
# BuzziCone 133



# Acoustics

## BuzziCone

Equivalent sound absorption area in m<sup>2</sup> per object



Hz	Cone 47 Aeq/m <sup>2</sup>	Cone 102 Aeq/m <sup>2</sup>	Cone 133 Aeq/m <sup>2</sup>
125	0.34	0.34	0.36
250	0.38	0.38	0.50
500	0.67	0.67	0.69
1000	0.78	0.78	0.82
2000	0.88	0.88	0.92
4000	0.95	0.95	0.99